



 **RCU  
BROCHURE**

The RCU Remote Control Unit can be used for **remote control** of Rhosonics measuring instruments from a safe and convenient **location of choice**.

# RCU - REMOTE CONTROL UNIT

## Introduction

The RCU Remote Control Unit can be used for remote control of Rhosonics measuring instruments from a safe and convenient location of choice. This device is available in two different versions and is suitable for several Rhosonics measuring instruments.

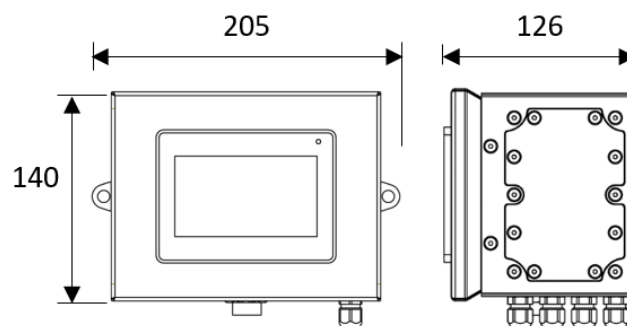
## Remote Control Unit

Depending on the type of RCU, operators can use this device to read their measured values, convert communication protocols and/or adjust settings of the field instrument using a touch screen interface. The RCU is directly connected with the field instrument by a cable for continuous and real-time measuring results.

## Features and benefits

- Real-time process monitoring and control of Rhosonics instruments at a safe and convenient location
- USB port to collect log data from the Rhosonics instrument on a USB-stick
- Convert a HART/4...20 mA signal to a Modbus RTU signal or Profibus DP

## Dimensions



## RCU models

### RCU-1 HART

This model can be used to convert a HART/4...20 mA signal to a Modbus RTU signal without losing the 4...20 mA signal. The RCU-1 has a touchscreen display to read measured values and change settings of the field instrument.

### RCU-4 Profibus DP

This model can be used to convert a HART/4...20 mA signal to a digital Profibus DP signal without losing the HART/4...20 mA signal. A touchscreen display shows measuring results and can be used to change settings, this is also possible at your PC/PLC with the included free-of-charge software program.

GENERAL	Part-number	RCU-1 / RCU-4
	Description	Remote control unit with display (HART/Modbus RTU) / (HART/Profibus DP)
	Service	Touchscreen HMI for remote operation of the SDM
	Feature	Read and write remote HMI
TRANSMITTER	Power Supply	18...32 VDC, 8 Watt
	Output	1x 4...20mA (HART- active) - read and write 1x Modbus RTU/RS485; Digital Modbus RTU - read (RCU-1) 1x Profibus DP - read (RCU-4)
	Input	1x 4...20mA (HART) - communication with the SDM
	Data logging	Continuous, retrievable via USB stick Note: max. 65535 entries of data can be stored
	Cable glands	4x M12x1.5 cable glands for Ø3-6.5 mm cable
	Ambient temperature	0 – 50 °C (32 - 122 °F)
	Humidity	10-85%
	Protection rating	IP65
	Display	Touchscreen - 480 x 272 dots (WxH), 5 colors
	Material	SS316
	Cable	10 meter 4x0.5 mm <sup>2</sup> shielded Power/data cable (RCU to SDM)
	Dimensions	180 mm (L) x 140 mm (H) x 127 mm (W)
	Weight	2,5 kg

2022 RHOSONICS - specifications are subject to change without notice - 07/2022



**ADDRESS**  
Hoge Eng West 30  
3882 TR Putten

**CONTACT**  
+31 341 37 00 73  
[info@rhosonics.com](mailto:info@rhosonics.com)